



## Your contact

STILL GmbH

Berzeliusstraße 10

D-22113 Hamburg

Telephone: +49 (0)40/73 39-20 00

Fax: +49 (0)40/73 39-20 01

[info@still.de](mailto:info@still.de)

**For further information please visit:**

**[www.still.de/RC40](http://www.still.de/RC40)**



---

RC 40-15

---

RC 40-18

---

RC 40-20

---

RC 40-25

---

RC 40-30

---

## RC 40 Technical data.

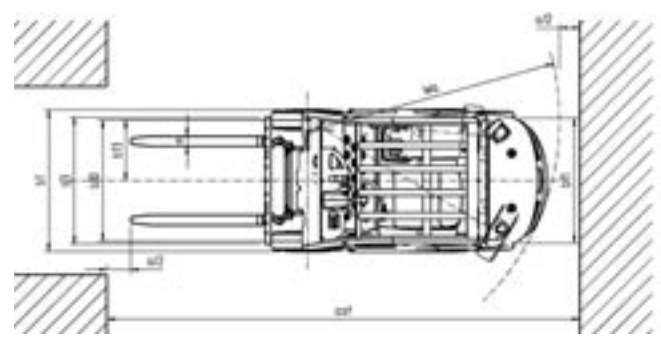
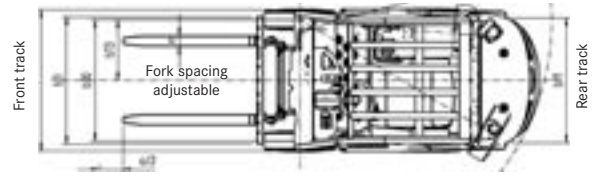
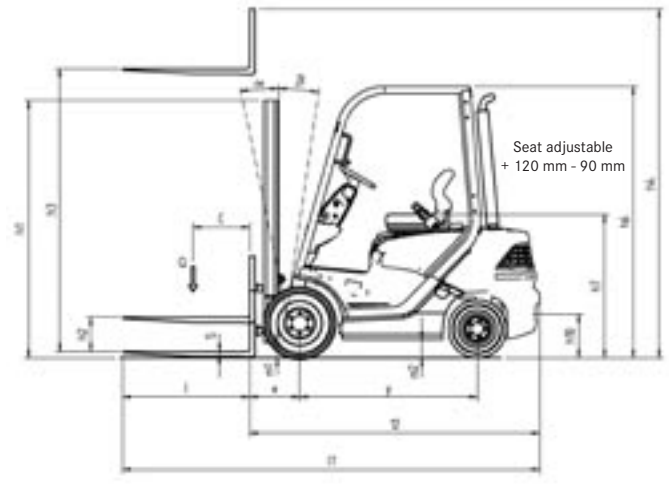
Diesel and LP gas forklift trucks.



This specification sheet to VDI 2198 guidelines states only the technical data for the standard equipment.  
Different tyres, other masts, additional equipment etc. could result in different values.

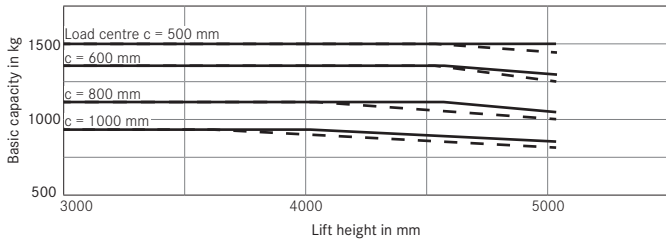
				STILL	STILL	STILL	STILL	STILL		
Characteristics	1.1	Manufacturer		RC 40-15	RC 40-15 T	RC 40-18	RC 40-18 T	RC 40-20		
	1.2	Manufacturer's model designation		Diesel	LPG	Diesel	LPG	Diesel		
	1.3	Drive		Rider seated	Rider seated	Rider seated	Rider seated	Rider seated		
	1.4	Operation								
	1.5	Carrying capacity/load	Q	kg	1500	1500	1800	1800	2000	
	1.6	Load centre	c	mm	500	500	500	500	500	
	1.8	Load distance	x	mm	395	395	400	400	410	
	1.9	Wheel base	y	mm	1400	1400	1400	1400	1400	
	Weights	2.1	Truck weight		kg	2701	2563	2953	2815	3236
2.2		Axle load, laden, front		kg	3671	3583	4141	4100	4537	
2.2.1		Axle load, laden, rear		kg	530	480	612	515	699	
2.3		Axle load, unladen, front		kg	1212	1212	1184	1184	1237	
2.3.1		Axle load, unladen, rear		kg	1489	1351	1769	1631	1999	
Wheels /chassis	3.1	Tyres			SE	SE	SE	SE	SE	
	3.2	Tyre size, front			6.50-10	6.50-10	6.50-10	6.50-10	6.50-10	
	3.3	Tyre size, rear			5.00-8	5.00-8	18x7-8	18x7-8	18x7-8	
	3.5	Number of wheels front (x = driven)			2x	2x	2x	2x	2x	
	3.5.1	Number of wheels rear (x = driven)			2	2	2	2	2	
	3.6	Track width, front	b <sub>10</sub>	mm	955	955	955	955	955	
3.7	Track width, rear	b <sub>11</sub>	mm	940	940	910	910	910		
Basic dimensions	4.1	Tilt Mast/Fork carriage, forward		α	°	3	3	3	3	
	4.1.1	Tilt Mast/Fork carriage, rear		β	°	9	9	9	9	
	4.2	Height, mast lowered		h <sub>1</sub>	mm	2210	2210	2210	2260	
	4.3	Free lift		h <sub>2</sub>	mm	150	150	150	150	
	4.4	Lift		h <sub>3</sub>	mm	3330	3330	3330	3350	
	4.5	Height, mast raised		h <sub>4</sub>	mm	3905	3905	3973	3973	4046
	4.7	Height over overhead guard (cab)		h <sub>6</sub>	mm	2145	2145	2145	2145	2145
	4.8	Seat/Platform height		h <sub>7</sub>	mm	1130	1130	1130	1130	1130
	4.12	Coupling height		h <sub>10</sub>	mm	380	380	380	380	380
	4.19	Overall length		l <sub>1</sub>	mm	3190	3190	3200	3200	3220
	4.20	Length including fork backs		l <sub>2</sub>	mm	2190	2190	2200	2200	2220
	4.21	Overall width		b <sub>1</sub>	mm	1120	1120	1120	1120	1120
	4.22	Fork thickness		s	mm	40	40	45	45	45
	4.22.1	Fork width		e	mm	80	80	100	100	100
4.22.2	Fork length		l	mm	1000	1000	1000	1000	1000	
4.23	Fork carriage DIN 15173, Class/Form A, B				Class II, Form A	Class II, Form A	Class II, Form A	Class II, Form A	Class II, Form A	
4.24	Fork carriage width		b <sub>3</sub>	mm	1040	1040	1040	1040	1040	
4.31	Floor clearance under mast, laden		m <sub>1</sub>	mm	107	107	102	102	97	
4.32	Floor clearance, centre of wheel-base		m <sub>2</sub>	mm	127	127	127	127	127	
4.33	Working aisle - 1000 x 1200 pallet crosswise		A <sub>st</sub>	mm	3565	3565	3615	3615	3730	
4.34	Working aisle - 800 x 1200 pallet lengthways		A <sub>st</sub>	mm	3765	3765	3815	3815	3930	
4.35	Turning radius		W <sub>a</sub>	mm	1895	1895	1950	1950	1985	
4.36	Smallest pivot point distance		b <sub>13</sub>	mm	480	480	480	480	480	
Performance data	5.1	Travel speed laden			km/h	20,5	20	20	20	
	5.1.1	Travel speed unladen			km/h	21	20,5	20,5	20,5	
	5.2	Hoist speed laden			m/s	0,65	0,64	0,65	0,64	
	5.2.1	Hoist speed unladen			m/s	0,69	0,70	0,69	0,63	
	5.3	Lowering speed laden			m/s	0,50	0,50	0,50	0,45	
	5.3.1	Lowering speed unladen			m/s	0,42	0,42	0,42	0,35	
	5.5	Drawbar pull laden			N	12100	12100	12100	12100	13500
	5.5.1	Drawbar pull unladen			N	8100	8100	8100	8100	8900
	5.7	Gradeability laden			%	27	29	25	25,5	23
	5.7.1	Gradeability unladen			%	27	24	25	22,5	23,5
5.9	Acceleration time laden			s	5,0	4,7	5,0	4,9	5,2	
5.9.1	Acceleration time unladen			s	4,4	4,2	4,4	4,3	4,5	
5.10	Service brake				mech./hydr.	mech./hydr.	mech./hydr.	mech./hydr.	mech./hydr.	
Engine	7.1	Engine manufacturer				Yanmar	Nissan	Yanmar	Nissan	Yanmar
	7.1.1	Type				4TNE92	K21	4TNE92	K21	4TNE92
	7.2	Engine rating to ISO 1585			kW	34	33	34	33	34
	7.3	Rated speed			rpm	2450	2450	2450	2450	2450
	7.4	No. of cylinders				4	4	4	4	4
	7.4.1	Swept volume			cm <sup>3</sup>	2650	2065	2650	2065	2650
7.5	Fuel consumption to VDI Cycle			l/h	2,9	5,1	3,3	5,8	3,7	
Miscellaneous	8.1	Drive control				Hydrodyn.	Hydrodyn.	Hydrodyn.	Hydrodyn.	Hydrodyn.
	8.2	Working pressure for attachments			bar	160	160	160	160	160
	8.3	Oil flow for attachments			l/min	35	35	35	35	40
	8.4	Sound level at driver's ear			dB (A)	81	80	81	80	81
	8.5	Towing coupler, Type/Model DIN				Pin	Pin	Pin	Pin	Pin

STILL	STILL	STILL	STILL	STILL
RC 40-20 T	RC 40-25	RC 40-25 T	RC 40-30	RC 40-30 T
LPG	Diesel	LPG	Diesel	LPG
Rider seated	Rider seated	Rider seated	Rider seated	Rider seated
2000	2500	2500	3000	3000
500	500	500	500	500
410	482	482	487	487
1400	1620	1620	1620	1620
3098	4007	3919	4511	4423
4450	5722	5722	6526	6526
648	785	697	985	897
1150	1707	1707	1698	1698
1948	2300	2212	2813	2725
SE	SE	SE	SE	SE
6.50-10	7.00-12	7.00-12	27x10-12	27x10-12
18x7-8	6.50-10	6.50-10	6.50-10	6.50-10
2x	2x	2x	2x	2x
2	2	2	2	2
955	1007	1007	1057	1057
910	940	940	940	940
3	4°30'	4°30'	4°30'	4°30'
9	9	9	9	9
2260	2293	2293	2305	2305
150	150	150	150	150
3350	3250	3250	3250	3250
4046	3873	3873	4035	4035
2145	2222	2222	2222	2222
1130	1212	1212	1212	1212
380	420	420	420	420
3220	3605	3605	3710	3710
2220	2605	2605	2710	2710
1120	1180	1180	1305	1305
45	45	45	45	45
100	100	100	100	100
1000	1000	1000	1000	1000
Class II, Form A	Class II, Form A	Class II, Form A	Class II, Form A	Class II, Form A
1040	1150	1150	1150	1150
97	125	125	145	145
127	150	150	160	160
3730	3939	3939	4025	4025
3930	4139	4139	4225	4225
1985	2257	2257	2338	2338
480	850	850	850	850
20	20,5	20	20,5	20
20,5	21	20,5	21	20,5
0,55	0,51	0,49	0,51	0,48
0,60	0,53	0,52	0,53	0,52
0,45	0,48	0,48	0,48	0,48
0,35	0,44	0,44	0,44	0,44
12000	16700	15000	16700	15100
8500	10500	11000	10300	11000
23,5	26,5	24	21,5	20
23	25	24	21	21
5,0	4,8	5,1	5,1	5,3
4,4	4,3	4,5	4,3	4,6
mech./hydr.	mech./hydr.	mech./hydr.	mech./hydr.	mech./hydr.
Nissan	Yanmar	Nissan	Yanmar	Nissan
K21	4TNE98	K25	4TNE98	K25
33	44	43	44	43
2450	2450	2400	2450	2400
4	4	4	4	4
2065	3300	2488	3300	2488
6,4	4,8	6,5	5,6	7,5
Hydrodyn.	Hydrodyn.	Hydrodyn.	Hydrodyn.	Hydrodyn.
160	160	160	160	160
40	60	60	60	60
81	81	81	81	81
Pin	Pin	Pin	Pin	Pin

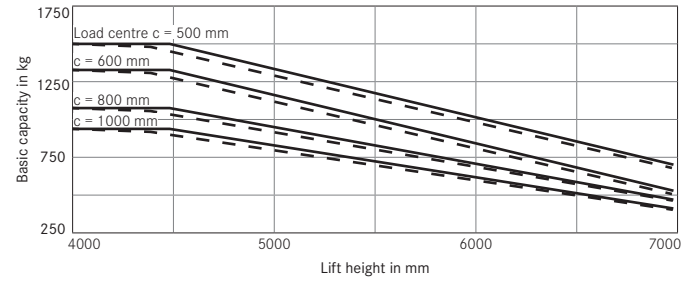


				Tele mast		HiLo mast		Triplex mast	
RC 40-15	Rated lift	$h_3$	mm	3330-4030	4530-5030	2875-3975	4170-6970		
	Overall height	$h_1$	mm	2210-2560	2810-3060	1960-2510	1960-2960		
	Free lift	$h_2$	mm	150	150	1405-1955	1405-2405		
	Greatest height	$h_4$	mm	3905-4605	5105-5605	3450-4550	4745-7545		
	Forward tilt	$\alpha$	°	3					
	Back tilt	$\beta$	°	9	6	9	6		
	Fork spacing centre to centre		mm	216 / 368 / 445 / 521 / 673					
	Greatest width	W	mm	1120					
	Overall length	$L_2$	mm	2190			2215		
	Load distance	x	mm	395			420		
	Working aisle width	$A_{st}$	mm	(1000x1200) 3565 / (800x1200) 3765			(1000x1200) 3590 / (800x1200) 3790		
	Tyres	f		6.50-10					
	Tyres	r		5.00-8					
Track	f	mm	955						
Track	r	mm	940						
RC 40-18	Rated lift	$h_3$	mm	3330-4030	4530-5030	2875-3975	4170-6970		
	Overall height	$h_1$	mm	2210-2560	2810-3060	1960-2510	1960-2960		
	Free lift	$h_2$	mm	150	150	1312-1862	1312-2312		
	Greatest height	$h_4$	mm	3973-4673	5173-5673	3543-4643	4838-7638		
	Forward tilt	$\alpha$	°	3					
	Back tilt	$\beta$	°	9	6	9	6		
	Fork spacing centre to centre		mm	216 / 368 / 445 / 521 / 673					
	Greatest width	W	mm	1120					
	Overall length	$L_2$	mm	2225			2250		
	Load distance	x	mm	400			425		
	Working aisle width	$A_{st}$	mm	(1000x1200) 3615 / (800x1200) 3815			(1000x1200) 3640 / (800x1200) 3840		
	Tyres	f		6.50-10					
	Tyres	r		18x7-8					
Track	f	mm	955						
Track	r	mm	910						
RC 40-20	Rated lift	$h_3$	mm	3350-4050	4550-5050	2970-3970	4465-6865		
	Overall height	$h_1$	mm	2260-2610	2860-3110	2010-2510	2060-2860		
	Free lift	$h_2$	mm	150	150	1354-1854	1404-2204		
	Greatest height	$h_4$	mm	4046-4746	5246-5746	3646-4646	5156-7556		
	Forward tilt	$\alpha$	°	3					
	Back tilt	$\beta$	°	9	6	9	6		
	Fork spacing centre to centre		mm	216 / 368 / 445 / 521 / 673					
	Greatest width	W	mm	1120					
	Overall length	$L_2$	mm	2270			2295		
	Load distance	x	mm	410			435		
	Working aisle width	$A_{st}$	mm	(1000x1200) 3730 / (800x1200) 3930			(1000x1200) 3755 / (800x1200) 3955		
	Tyres	f		6.50-10					
	Tyres	r		18x7-8					
Track	f	mm	955						
Track	r	mm	910						
RC 40-25	Rated lift	$h_3$	mm	3250-4050	4450-5050	2950-4050	4225	4675-6475	
	Overall height	$h_1$	mm	2293-2693	2893-3193	2098-2648	2110	2260-2860	
	Free lift	$h_2$	mm	150	150	1462-2012	1475	1625-2225	
	Greatest height	$h_4$	mm	3873-4673	5073-5673	3573-4673	4860	5310-7110	
	Forward tilt	$\alpha$	°	4°30'					
	Back tilt	$\beta$	°	9	6	9	9	6	
	Fork spacing centre to centre		mm	216 / 368 / 445 / 521 / 673 / 826 / 978 / 1130 / 1283 / 1359					
	Greatest width	W	mm	1180			1305		
	Overall length	$L_2$	mm	2605			2630		
	Load distance	x	mm	482			507		
	Working aisle width	$A_{st}$	mm	(1000x1200) 3939 / (800x1200) 4139			(1000x1200) 3964 / (800x1200) 4164		
	Tyres	f		7.00-12					
	Tyres	r		6.50-10					
Track	f	mm	1007						
Track	r	mm	940						
RC 40-30	Rated lift	$h_3$	mm	3250-4050	4450-5050	2950-4050	4225	4675-6475	
	Overall height	$h_1$	mm	2305-2705	2905-3205	2110-2660	2110	2260-2860	
	Free lift	$h_2$	mm	150	150	1325-1875	1325	1475-2075	
	Greatest height	$h_4$	mm	4035-4835	5235-5835	3735-4835	5010	5460-7260	
	Forward tilt	$\alpha$	°	4°30'					
	Back tilt	$\beta$	°	9	6	9	9	6	
	Fork spacing centre to centre		mm	267 / 470 / 673 / 876 / 1080 / 1283					
	Greatest width	W	mm	1305					
	Overall length	$L_2$	mm	2710			2725		
	Load distance	x	mm	487			512		
	Working aisle width	$A_{st}$	mm	(1000x1200) 4025 / (800x1200) 4225			(1000x1200) 4050 / (800x1200) 4250		
	Tyres	f		27x10-12					
	Tyres	r		6.50-10					
Track	f	mm	1057						
Track	r	mm	940						

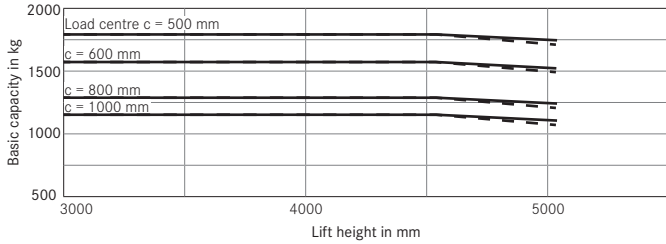
Basic capacities RC 40-15 Tele mast - SE tyres



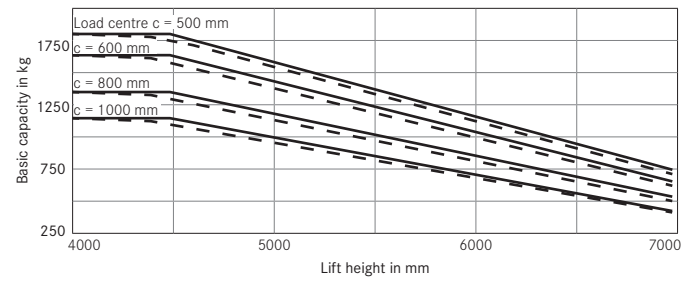
Basic capacities RC 40-15 Triplex mast - SE tyres



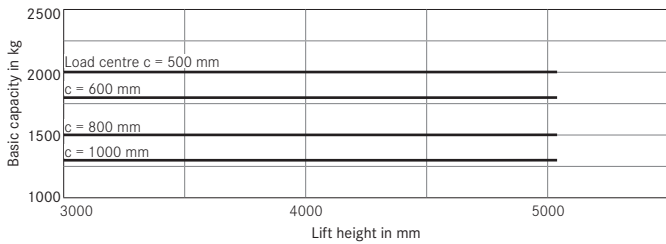
Basic capacities RC 40-18 Tele mast - SE tyres



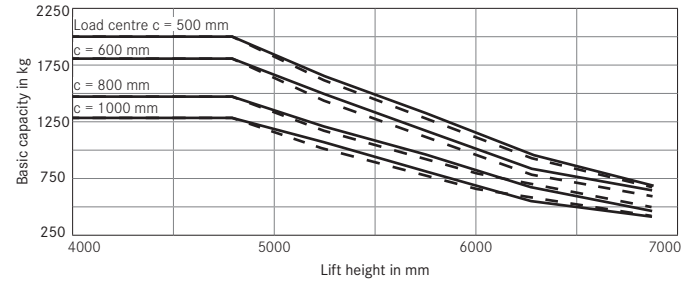
Basic capacities RC 40-18 Triplex mast - SE tyres



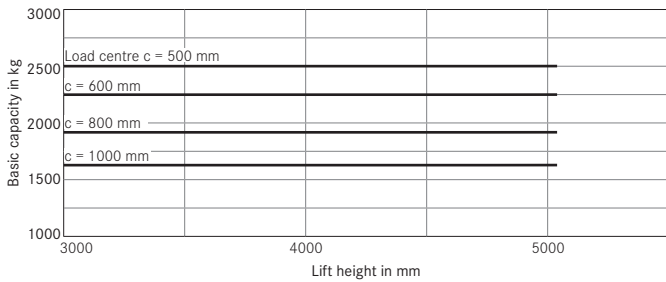
Basic capacities RC 40-20 Tele mast - SE tyres



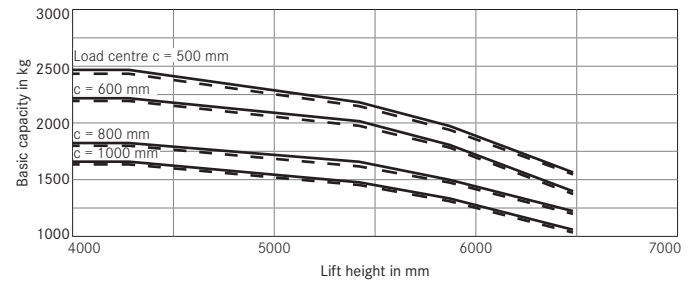
Basic capacities RC 40-20 Triplex mast - SE tyres



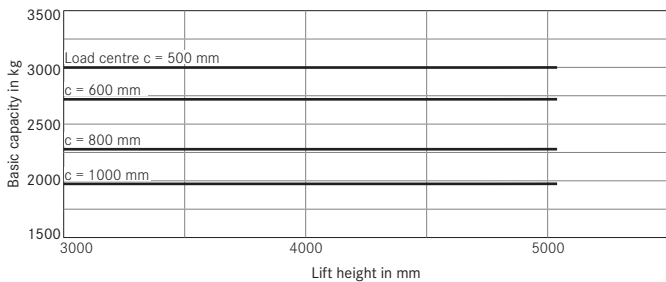
Basic capacities RC 40-25 Tele mast - SE tyres



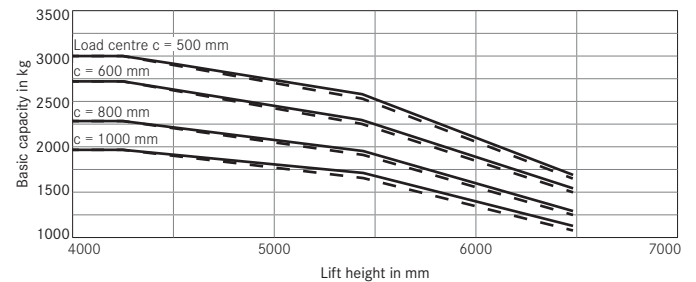
Basic capacities RC 40-25 Triplex mast - SE tyres



Basic capacities RC 40-30 Tele mast - SE tyres



Basic capacities RC 40-30 Triplex mast - SE tyres



— with standard forks - - - with integrated sidershifter and standard forks  
Values stated can vary depending on the vehicle's additional equipment.

## Overall concept:

Engine powered four wheeled counterbalance forklift truck with front wheel drive.

## Drive.

- Internal combustion engine drive
- Modern diesel engines from Yanmar and industrial LPG engines from Nissan
- Drive axle with torque converter
- Low-wear drum brakes

## Ergonomics.

- Generously laid out driver's compartment
- Damped 4-point mounting of driver's overhead guard
- High driver comfort and operating convenience due to optimal arrangement of all controls
- Excellent visibility to all sides

## Safety.

- Driver's overhead guard with fixed roofing panel and Lexan front screen
- Low truck centre of gravity and an articulated steer axle for optimal stability
- High residual capacities even at high lifts
- Excellent driving stability when cornering - no electronic aids required

## Environment.

- Low pollutant emission, compliant with Directive 97/68/EC Stage 3a

## Service.

- 500 operating hours between services
- Optimal accessibility for maintenance and repairs due to wide-opening bonnet and doors\*

\*Standard equipment or optional

## Technical features:

### Driver's compartment.

- Low and easy entry step which is also clearly visible when exiting
- Hand grip on overhead guard
- Large foot well with vibration inhibiting floor covering and automotive-style pedals arrangement
- Modern industrial driver's seat with optimal setting options
- Hydraulic servo steering with small steering wheel
- Twin pedal drive direction change
- Sensitive hydraulic lever to right of driver's seat
- Narrow, adjustable steering column with no distracting instrument displays
- Large display to left of steering column
- Additional functions can be enabled via switch to left of steering column

### Drive control.

- Truck is free to travel only if drive direction is engaged and foot pedal is pressed, no creeping
- Combined two-stage braking/inching pedal

### Electrical system.

- 12 volt electrics
- Cable sets sheathed in corrugated tubing

### Mast and hydraulics.

- Hydraulic pump for the working and steering hydraulics
- Wide construction, open telescopic mast with and without full free lift and as a triplex variant
- Clear view fork carriage

## **Additional equipment features (Options):**

### **Truck equipment.**

- Superelastic or pneumatic tyres

### **Engine.**

- Gas truck with alternatives of gas bottle or gas tank
- Regulated 3-way cat for LP gas truck
- Regenerative soot particle filter as a replacement filter system, spark arrester and open-loop catalytic converter for diesel truck
- Additional air filter for use in environments containing dust or fibres

### **Cab equipment.**

- Modular construction cab with front and rear screen
- Rear mounted damped doors with large opening angles and sliding windows
- Screen wiper with large wiped area for front and rear screen, with screen washer
- Rear screen heater
- Air conditioning
- Exterior and interior mirrors
- Comfort seat variants with cloth cover, seat heater, lumbar support, extended backrest
- Operator restraint system with safety gate type doors

### **Controls.**

- Drive actuated by single pedal system, drive direction selection via lever on steering column

### **Electrical equipment.**

- Automotive style lighting also approved for use in road traffic
- Working spotlights front and/or rear on the overhead guard
- Flashing warning light on overhead guard, at top rear

### **Mast and hydraulics.**

- Auxiliary hydraulics for actuating functions on attachments
- Various fork carriage widths and fork lengths
- Attachments to suit each type of load