



RX 60-25

RX 60-30

RX 60-35

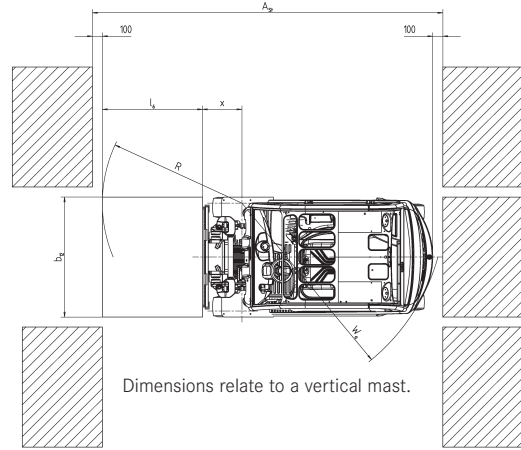
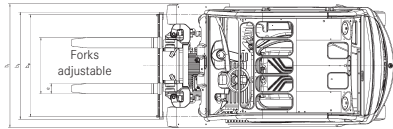
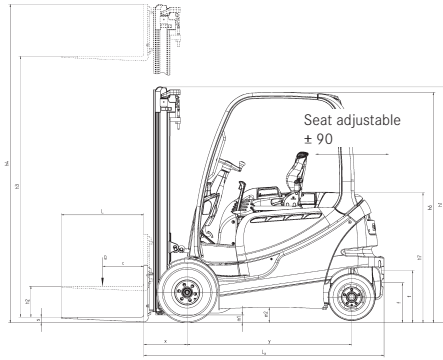
RX 60 Technical data.

Electric forklift trucks.



This specification sheet to VDI Guidelines 2198 only gives the technical figures for the standard truck.
Different tyres, other masts, additional equipment etc. could give different figures.

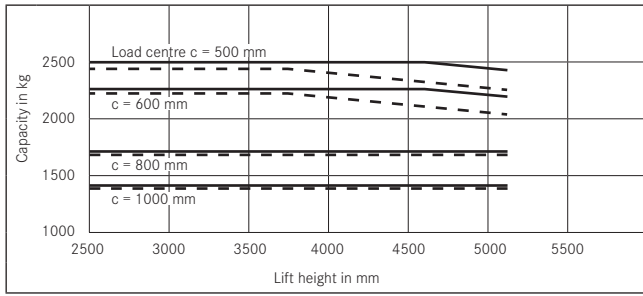
		STILL	STILL	STILL	STILL	STILL		
Characteristics	1.1	Manufacturer						
	1.2	Manufacturer's model designation		RX 60-25	RX 60-25L	RX 60-30		
	1.3	Truck type		Electric	Electric	Electric		
	1.4	Operation		Rider seated	Rider seated	Rider seated		
	1.5	Capacity	Q	t	2.5	2.5	3.0	
	1.6	Load centre	c	mm	500	500	500	
	1.8	Load distance	x	mm	420	420	440	
	1.9	Wheel base	y	mm	1595	1740	1650	
	1.9	Wheel base			1595	1740	1650	
Weights	2.1	Truck weight		kg	4651	4977	5152	
	2.2	Axle load, laden, front		kg	6335	6390	7290	
	2.2.1	Axle load, laden, rear		kg	816	1086	861	
	2.3	Axle load, unladen, front		kg	2393	2568	2581	
	2.3.1	Axle load, unladen, rear		kg	2258	2408	2570	
Wheel chassis	3.1	Tyres			SE	SE	SE	
	3.2	Tyre size, front			23 x 9-10	23 x 9-10	23 x 10-12	
	3.3	Tyre size, rear			18 x 7-8	18 x 7-8	18 x 7-8	
	3.5	Number of wheels front (x=driven)			2x	2x	2x	
	3.5.1	Number of wheels rear (x=driven)			2	2	2	
	3.6	Track width, front	b ₁₀	mm	992	992	950	
	3.7	Track width, rear	b ₁₁	mm	900	900	900	
Basic dimensions	4.1	Tilt Mast/Fork carriage, forward		°	3	3	3	
	4.1.1	Tilt Mast/Fork carriage, back		°	9	9	9	
	4.2	Height, mast lowered	h ₁	mm	2175	2175	2175	
	4.3	Free lift	h ₂	mm	160	160	160	
	4.4	Lift	h ₃	mm	3020	3020	3020	
	4.5	Height, mast raised	h ₄	mm	3650	3650	3800	
	4.7	Height over overhead guard (cab)	h ₆	mm	2210	2209	2212	
	4.8	Seat/Platform height (SRP)	h ₇	mm	1139	1138	1141	
	4.12	Coupling height	h ₁₀	mm	485/365	484/364	487/367	
	4.19	Overall length	l ₁	mm	3328	3473	3403	
	4.20	Length including fork backs l ₂	l ₂	mm	2328	2473	2403	
	4.21	Overall width	b ₁	mm	1199	1199	1198	
	4.22.1	Fork thickness	s	mm	40	40	50	
	4.22.2	Fork width	e	mm	100	100	100	
	4.22.3	Fork length	l	mm	1000	1000	1000	
	4.23	Fork carriage DIN 15173, Class/Form A, B			II/A	II/A	III/A	
	4.24	Fork carriage width	b ₃	mm	1040	1040	1100	
4.31	Floor clearance under mast, laden	m ₁	mm	125	125	125		
4.32	Floor clearance, centre of wheel-base	m ₂	mm	125	124	127		
4.33	Working aisle - 1000 x 1200 pallet crosswise	A _{st}	mm	3654	3805	3735		
4.34	Working aisle - 800 x 1200 pallet lengthways	A _{st}	mm	3852	4005	3935		
4.35	Turning radius	W _a	mm	2032	2185	2095		
4.36	Smallest pivot point distance	b ₁₃	mm	539	590	570		
Performance data	5.1	Travel speed laden		km/h	19	19	19	
	5.1.1	Travel speed unladen		km/h	20	20	20	
	5.2	Hoist speed laden		m/s	0.46	0.45	0.40	
	5.2.1	Hoist speed unladen		m/s	0.55	0.55	0.55	
	5.3	Lowering speed laden		m/s	0.52	0.52	0.52	
	5.3.1	Lowering speed unladen		m/s	0.45	0.45	0.45	
	5.5	Drawbar pull laden		N	8000	7940	7680	
	5.5.1	Drawbar pull unladen		N	8110	8050	8040	
	5.6	Max. drawbar pull laden		N	17440	17390	17050	
	5.6.1	Max. drawbar pull unladen		N	17220	17210	17240	
	5.7	Gradeability laden		%	21.3	20.3	18.1	
	5.7.1	Gradeability unladen		%	29.5	30.2	29.0	
	5.8	Max. gradeability laden		%	25.5	24.2	21.7	
	5.8.1	Max. gradeability unladen		%	29.7	30.2	29.0	
5.9	Acceleration time laden		s	4.5	4.6	4.7		
5.9.1	Acceleration time unladen		s	4.2	4.2	4.2		
5.10	Service brake			electr./mech.	electr./mech.	electr./mech.		
E-Motor	6.1	Drive motor, 60 minute rating		kW	15	15	15	
	6.2	Hoist motor 15% rating		kW	16.3	16.3	16.3	
	6.3	Battery to DIN 43531/35/36 A, B, C, No			DIN 43536 A	DIN 43536 A	DIN 43536 A	
	6.4	Battery voltage		U	V	80	80	80
	6.4.1	Battery capacity		K ₅	Ah	560	700	560
	6.5	Battery weight			kg	1558	1863	1558
	6.6	Energy consumption 60 VDI work cycles/hour			kWh/h	6.70	7.20	7.50
Miscellaneous	8.1	Drive control						
	8.2	Working pressure for attachments		bar	250	250	250	
	8.3	Oil flow for attachments		l/min	30	30	30	
	8.4	Sound level at driver's ear		dB(A)				
	8.5	Towing coupler, Type/Model DIN			Pin	Pin	Pin	



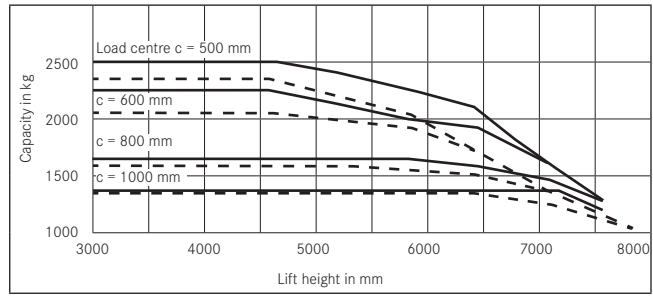
Dimensions relate to a vertical mast.

			Tele mast	HiLo mast	Triplex mast	
RX 60 - 25	Rated lift	h ₃ mm	2320 - 5120	2500 - 4800	3580 - 5080	5230 - 7780
	Overall height	h ₁ mm	1825 - 3225	1825 - 2975	1825 - 2325	2375 - 3225
	Free lift Form "A"	h ₂ mm	160	1240 - 2390	1240 - 1740	1790 - 2640
	Free lift Form "B"	h ₂ mm	160	1195 - 2345	1195 - 1695	1745 - 2595
	Greatest height Form "A"	h ₄ mm	2950 - 5750	3090 - 5250	4185 - 5685	5835 - 8385
	Greatest height Form "B"	h ₄ mm	2980 - 5780	3160 - 5280	4255 - 5755	5905 - 8455
	Forward tilt	a °	3		3	
	Back tilt	b °	9 (7 with front screen)		9 (7 with front screen)	
	Load distance	x mm	420		445	
	Tyres	v/h	23x9-10 // 18x7-8		23x9-10 // 18x7-8	
	Greatest width	B mm	1199 (from 2825 o.a.h; 1303)		1199	1303
	Track	v/h mm	992//900 (from 2775 o.a.h; 1096/900)		992//900	1096//900
	Fork locations, centre to centre	mm	216/368/445/521/673/(820)/(826)/(970)/(1050)			
	Overall length RX 60-25	L ₂ mm	2328		2353	
Overall length RX 60-25L	L ₂ mm	2473		2498		
Working aisle width RX 60-25	A _{st} mm	(1000x1200) 3654 // (1200x800) 3852		(1000x1200) 3678 // (1200x800) 3877		
Working aisle width RX 60-25L	A _{st} mm	(1000x1200) 3805 // (1200x800) 4005		(1000x1200) 3830 // (1200x800) 4030		
RX 60 - 30	Rated lift	h ₃ mm	2320 - 5120	2390 - 4690	3430-7630	
	Overall height	h ₁ mm	1825 - 3225	1825 - 2975	1825 - 3225	
	Free lift Form "A"	h ₂ mm	160	1190 - 2340	1190 - 2590	
	Free lift Form "B"	h ₂ mm	160	1045 - 2195	1045-2445	
	Greatest height Form "A"	h ₄ mm	3100 - 5900	3080 - 5380	4110 - 8310	
	Greatest height Form "B"	h ₄ mm	3130 - 5930	3200 - 5500	4275 - 8475	
	Forward tilt	a °	3		3	
	Back tilt	b °	9 (7 with front screen)		9 (7 with front screen)	
	Load distance	x mm	440		465	
	Tyres	v/h	23x10-12 // 18x7-8		23x10-12 // 18x7-8	
	Greatest width	B mm	1198 (from 2775 o.a.h; 1298)		1298	
	Track	v/h mm	950//900 (from 2775 o.a.h; 1050/900)		1050//900	
	Fork locations, centre to centre	mm	216/368/445/521/673/796/876/(978)/(1080)/(1181)			
	Overall length RX 60-30	L ₂ mm	2403		2428	
Overall length RX 60-30L	L ₂ mm	2493		2518		
Working aisle width RX 60-30	A _{st} mm	(1000x1200) 3735 // (1200x800) 3935		(1000x1200) 3760 // (1200x800) 3960		
Working aisle width RX 60-30L	A _{st} mm	(1000x1200) 3825 // (1200x800) 4025		(1000x1200) 3850 // (1200x800) 4050		
RX 60 - 35	Rated lift	h ₃ mm	2120 - 4920	2190 - 4290	3130 - 7330	
	Overall height	h ₁ mm	1825 - 3225	1825 - 2875	1825 - 3225	
	Free lift Form "A"	h ₂ mm	160	1090 - 2140	1090 - 2490	
	Free lift Form "B"	h ₂ mm	160	1045 - 2095	1045 - 2445	
	Greatest height Form "A"	h ₄ mm	3000 - 5800	2955 - 5055	3810 - 8010	
	Greatest height Form "B"	h ₄ mm	3030 - 5830	3000 - 5100	3975 - 8175	
	Forward tilt	a °	3		3	
	Back tilt	b °	9 (7 with front screen)		9 (7 with front screen)	
	Load distance	x mm	440		465	
	Tyres	v/h	315/45-12 // 18x7-8		315/45-12 // 18x7-8	
	Greatest width	B mm	1400		1400	
	Track	v/h mm	1002 // 900		1100 // 900	
	Fork locations, centre to centre	mm	216/368/445/521/673/796/876/(978)/(1080)/(1181)			
	Overall length RX 60-35	L ₂ mm	2523		2548	
Working aisle width RX 60-35	L ₂ mm	(1000x1200) 3854 // (1200x800) 4054		(1000x1200) 3879 // (1200x800) 4079		

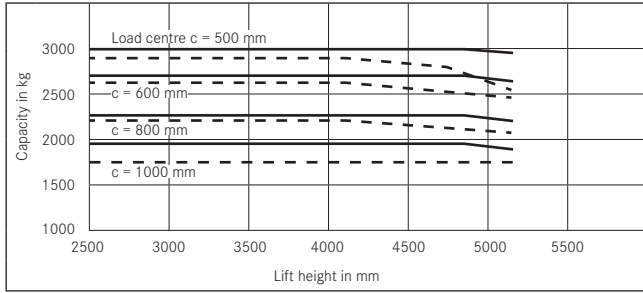
Capacities RX 60-25L Tele/HiLo mast



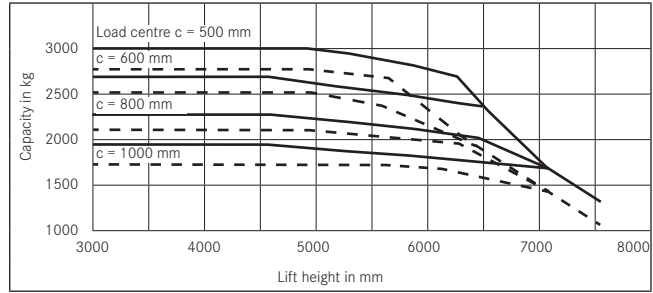
Capacities RX 60-25 with triplex mast



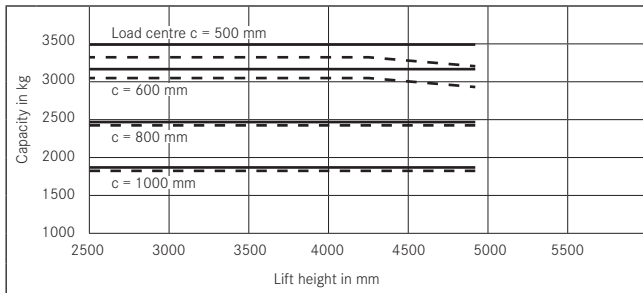
Capacities RX 60-30L Tele/HiLo mast



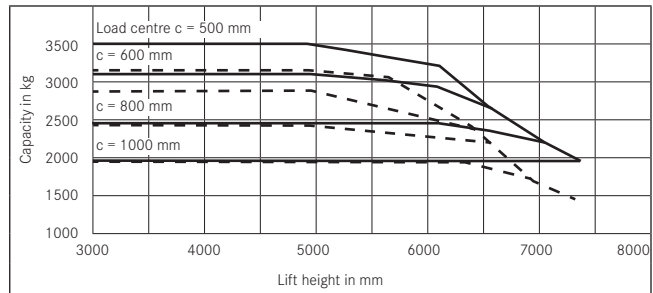
Capacities RX 60-30 with triplex mast



Capacities RX 60-35 Tele/HiLo mast



Capacities RX 60-35 with triplex mast



— without Sideshifter
 - - - with Sideshifter

Gradients maximum distance that can be driven in 60 minutes

Example
 An RX 60-25 with a load of 2500 kg and a gradient of 10% can drive a distance of 600m 10 times per hour

Unladen		RX 60-25	RX 60-25L	RX 60-30	RX 60-30L	RX 60-35
		25%	3770 m	3320 m	3020 m	3020 m
	20%	5340 m	5110 m	5030 m	5030 m	4090 m
	15%	6480 m	6180 m	5990 m	5990 m	5810 m
	10%	8280 m	7900 m	7710 m	7890 m	7260 m
	5%	12400 m	11480 m	11690 m	11680 m	10880 m

Laden		RX 60-25	RX 60-25L	RX 60-30	RX 60-30L	RX 60-35
		20%	2670 m	1790 m	1400 m	1400 m
	15%	4590 m	3740 m	2940 m	2940 m	2090 m
	10%	6000 m	5790 m	5450 m	5450 m	5040 m
	5%	8950 m	8600 m	8200 m	8200 m	7570 m

(dry rough concrete surface = Coefficient of friction 0.80)

Driver's compartment.

The driver's work place in the RX 60. The large footwell featuring an inclined floor plate and anti-slip lining provides quick and convenient entry and exit and a relaxed leg position when driving. The adjustable steering column with its small steering wheel is ergonomically efficient, requiring minimal steering movements from the driver. The automotive style pedal layout can be replaced by a dual pedal arrangement if required.

The drive direction switch on the valve lever (hoist and lower) allows the driver to change direction without releasing his grip, thus reducing fatigue, even on long shifts.

The fully graphic display is heated to ensure that all essential information, including time, battery charge state, maintenance intervals etc., remains clearly visible under all conditions - even in extreme applications such as cold stores or all-weather indoor/outdoor working.

The entire truck is under constant on-board diagnosis. With 5 selectable drive programs the driver can match the driving characteristics of the RX 60 to the application or his personal preferences. Each program can be precisely matched to the application profile in order to achieve optimum economy and load turnaround.

The driver's compartment of the RX 60 provides generous head room even for tall drivers, with good all-round vision thanks to the large viewing panels in the roof, very slim overhead guard legs and high seating position.

Blue-Q energy optimisation.

- Activate Blue-Q energy saving mode on the truck at the push of a button.
- Energy saving due to intelligent optimisation of the drive characteristics without impairing the work process.
- Intelligently switches off electrical consumers.
- A saving in energy consumption of up to 20% depending on the profile of use and truck's equipment.

Safety.

In conjunction with the mechanical parking and service brake, the RX 60 brakes automatically when the drive pedal is released, guaranteeing safe use at all times. The truck will also hold its position on a gradient without the need to depress the footbrake, further enhancing safety. The RX 60's side battery change can be carried out using a hand pallet truck, low lift pallet truck or forklift truck. This not only gives significant time savings compared to a conventional hoist, but makes the battery changing operation much safer. The risks of operator injury or truck damage are considerably reduced.

Service.

The maintenance interval of the RX 60 is 1000 operating hours or 12 months. These intervals save time and maintenance costs - especially with single-shift operation, where 1000 hours roughly corresponds to annual operating hours, enabling the maintenance and UVV safety checks to be carried out at the same time. Fast diagnosis via a notebook computer and easily accessible maintenance components, together with readily available parts, guarantee short service times and maximum uptime.

Drive.

The energy-efficient, noise-optimised three-phase drive unit of the RX 60 acts on the front wheels. High traction power and driving dynamics, even when climbing ramps or operating on uneven ground, ensure a high turnaround of goods. The boost function of the RX 60 is an innovative feature which, when required, calls up maximum torque from the drive motors. Maximum thrust is therefore always available - for example, at kerbs or when pushing pallets.

The maintenance-free, efficiency-optimised three-phase drive guarantees a long battery operating life. Thanks to its IP 54 enclosure the entire drive system is protected against the ingress of dirt, dust and moisture, so that even the most inhospitable applications pose no problem.

In addition to all this, electrical regenerative braking means the motors feed back up to 15% of the energy into the battery when the drive pedal is released, increasing the work available from a battery charge by up to 1.5 hours. Interim battery charging, or even changing, is often not necessary. The STILL controller ensures sensitive driving response with optimal utilisation of energy. It also enables the truck to be held on ramps without using the maintenance-free multi-disc brakes, for greater safety and driving comfort. The power electronics are protected within the counterweight and the heat from the controller is dissipated into the counterweight over a large area. This arrangement provides very good cooling without additional fans or filters and makes operating the RX 60 reliable and quiet.

Electrical system.

The RX 60 features digital control with two independent CAN bus systems which ensure that the drive train is not affected by minor electrical failures elsewhere on the truck, while the drive control unit has dual microprocessor monitoring to ensure safe operation. A pre-prepared wiring harness means that auxiliary electrical equipment can be fitted quickly and easily.

Mast.

Depending on application, the Telescopic, HiLo or Triplex construction offer the following:

- Telescopic: an inexpensive mast design suitable for many applications, with full visibility through the mast
- HiLo: Complements the Telescopic mast due to an additional, central, full free-lift cylinder to allow high stacking under low ceilings e.g. for use in containers of lorries right up to the roof
- Triplex: for use where there are low doorways but high lift heights, for utilisation of warehouses right up to the roof. The fork carriage has optimised visibility thanks to its frame construction.

Hydraulic system.

The speed of the AC pump drive is demand controlled and is precisely regulated by the dynamic servo assistance through the valve lever or the steering wheel movement. This ensures longer use from a battery charge. Sensitive operation of hydraulics increases working safety thanks to positioning to the nearest millimetre. The hydraulics also improve the energy consumption by:

- using a highly efficient hydraulic pump and noise reduced internal gear pump specially developed for this truck
- the replacement of pressure make-up valves with load holding valves. The priority valve for the steering is directly connected to the pump so that hydraulic interfaces and hoses are no longer required. This guarantees a safer, cleaner operation.



Your contact

STILL GmbH

Berzeliusstraße 10

D-22113 Hamburg

Telephone: +49 (0)40/73 39-2000

Telefax: +49 (0)40/73 39-2001

info@still.de

For further information please visit:

www.still.de

STILL Materials Handling Ltd.

Aston Way, Leyland

Lancashire PR26 7UX

Telephone: +44 (0)1772 644300

Telefax: +44 (0)1772 644303

info@still.co.uk

For further information please visit:

www.still.co.uk