



Your contact

STILL GmbH
Berzeliusstraße 10
D-22113 Hamburg
Telephone: +49 (0)40/73 39-2000
Telefax: +49 (0)40/73 39-2001
info@still.de

For further information please visit:
www.still.de

STILL Materials Handling Ltd.
Aston Way, Leyland
Lancashire PR26 7UX
Telephone: +44 (0)1772 644300
Telefax: +44 (0)1772 644303
info@still.co.uk

For further information please visit:
www.still.co.uk





RX 70 Technical data

Diesel forklift truck

RX 70-60

RX 70-70

RX 70-80

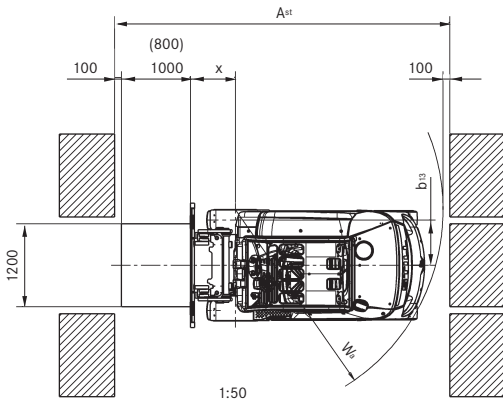
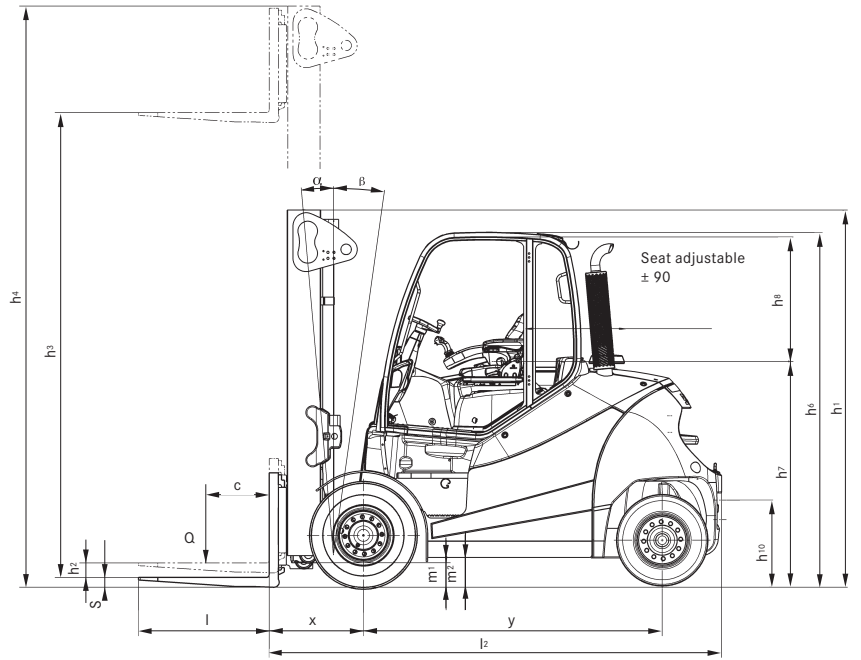


This specification sheet to VDI Guidelines 2198 only gives the technical figures for the standard truck.
Different tyres, other masts, additional equipment etc. could give different figures.

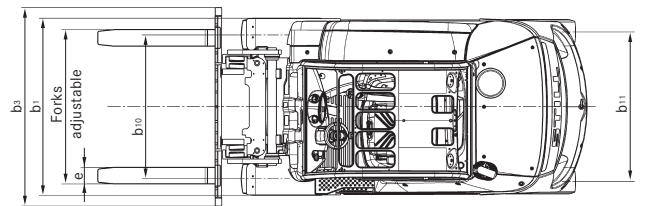
Characteristics	1.1	Manufacturer			STILL GmbH	STILL GmbH	STILL GmbH	
	1.2	Manufacturer's model designation			RX 70-60	RX 70-70	RX 70-80	
	1.2.1	Manufacturer's type designation			7341	7342	7343	
	1.3	Drive: electric, diesel, petrol, LPG, mains electric			Diesel	Diesel	Diesel	
	1.4	Operation: manual, pedestrian, stand-on, rider seated, order picker			Rider seated	Rider seated	Rider seated	
	1.5	Rated capacity	Q	kg	6000	7000	8000	
	1.6	Load centre	c	mm	600	600	600	
	1.8	Load distance	x	mm	710	720	720	
	1.9	Wheel base	y	mm	2285	2285	2405	
Weights	2.1	Truck weight		kg	10477	11370	12274	
	2.2	Axle load front, with load		kg	14854	16599	18396	
	2.2.1	Axle load rear, with load		kg	1623	1771	1878	
	2.3	Axle load front, without load		kg	5415	5555	6006	
	2.3.1	Axle load rear, without load		kg	5062	5815	6268	
Wheels chassis	3.1	Tyres: solid rubber, Superelastic, pneumatic, Polyurethane			SE	SE	SE	
	3.2	Tyres size front			355/65-15	8.25-15	8.25-15	
	3.3	Tyres size rear			28 x 9-15	250-15	250-15	
	3.5	Number of wheels front (x = driven)			2 x	4 x	4 x	
	3.5.1	Number of wheels rear (x = driven)			2	2	2	
	3.6	Track width front	b ₁₀	mm	1306	1510	1510	
Dimensions	3.7	Track width rear	b ₁₁	mm	1358	1358	1358	
	4.1	Tilt mast/fork carriage, forward		°	5	5	5	
	4.1.1	Tilt mast/fork carriage, back		°	8	8	8	
	4.2	Closed mast height	h ₁	mm	2710	2710	2710	
	4.3	Free lift	h ₂	mm	150	150	150	
	4.4	Lift	h ₃	mm	3550	3150	3150	
	4.5	Extended mast height	h ₄	mm	4440	4240	4240	
	4.7	Height over overhead guard (cabin)	h ₆	mm	2697	2697	2697	
	4.8	Seat height/stand height rel. to SIP	h ₇	mm	1719	1719	1719	
	4.12	Coupling height	h ₁₀	mm	510/660	510/660	510/660	
	4.19	Overall length	l ₁	mm	4640	4732	4800	
	4.20	Length including fork backs	l ₂	mm	3440	3532	3600	
	4.21	Overall width	b ₁	mm	1597	1998	1998	
	4.22	Fork thickness	s	mm	70	70	70	
	4.22.1	Fork width	e	mm	150	150	150	
	4.22.2	Fork length	l	mm	1200	1200	1200	
	4.23	Fork carriage DIN 15173, class/form A, B			Cl. IV, form A	Cl. IV, form A	Cl. IV, form A	
	4.24	Fork carriage width	b ₃	mm	1600	1800	1800	
	4.31	Ground clearance beneath mast, with load	m ₁	mm	220	220	220	
	4.32	Ground clearance centre wheel base	m ₂	mm	210	210	210	
	4.33	Aisle width for pallets 1000 x 1200 wide	A _{st}	mm	4907	4987	5056	
	4.34	Aisle width for pallets 800 x 1200 long	A _{st}	mm	5107	5187	5256	
	4.35	Turning radius	W _a	mm	3007	3067	3136	
	4.36	Inner turning radius	b ₁₃	mm	877	877	894	
	Performance	5.1	Speed with load		km/h	20	20	20
		5.1.1	Speed without load		km/h	20	20	20
		5.2	Lift speed with load		m/s	0,51	0,42	0,42
		5.2.1	Lift speed without load		m/s	0,51	0,42	0,42
5.3		Lowering speed with load		m/s	0,56	0,50	0,50	
5.3.1		Lowering speed without load		m/s	0,52	0,42	0,42	
5.5		Drawbar pull with load		N	31680	32540	35460	
5.5.1		Max. drawbar pull with load		N	51090	46370	46300	
5.5.2		Drawbar pull without load		N	31680	32540	35460	
5.7		Gradeability with load		%	33	27	24	
5.7.1		Gradeability without load		%	32	30	30	
5.9	Acceleration time with load		s	5,4	5,5	5,7		
5.9.1	Acceleration time without load		s	4,9	5,0	5,1		
5.10	Service brake			Electr./mech.	Electr./mech.	Electr./mech.		
IC engine	7.1	Engine manufacturer			Deutz	Deutz	Deutz	
	7.1.1	Type			TCD 4.1	TCD 4.1	TCD 4.1	
	7.2	Engine performance in accordance with ISO 1585		kW	80	80	80	
	7.3	Nominal speed		1/min	2400	2400	2400	
	7.4	No. of cylinders			4	4	4	
	7.4.1	Displacement		cm ³	4038	4038	4038	
	7.5	Fuel consumption in VDI cycle		l/h	7,0	7,8	8,6	
	7.10	On-board voltage		V	12	12	12	
Miscellaneous	8.1	Drive type			Diesel-electric	Diesel-electric	Diesel-electric	
	10.1	Hydraulic pressure for attachments		bar	260	260	260	
	10.2	Oil volume for attachments		l/min	60	60	60	
	10.4	Volume fuel tank		l	110	110	110	
	10.7	Sound pressure level LPAZ ² (driver's seat)		dB (A)	75	75	75	
	10.7.1	Sound power level LWAZ (work cycle)		dB (A)	97	97	97	
		Body vibrations ³ in accordance with EN 13059		m/s ²	0,31	0,31	0,31	
	10.8	Trailer coupling, type DIN			Pin	Pin	Pin	

² With cabin, higher levels without cabin.

³ With standard driver's seat.



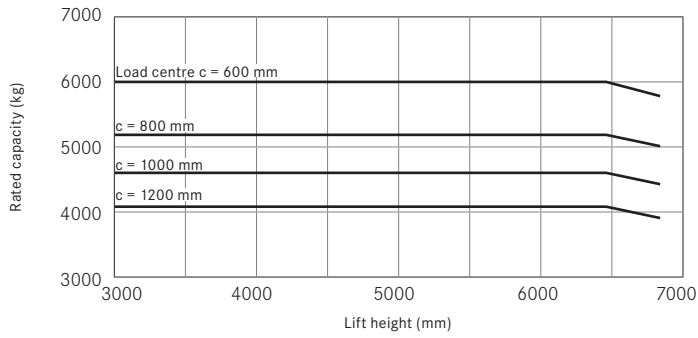
Dimensions relate to vertical mast.



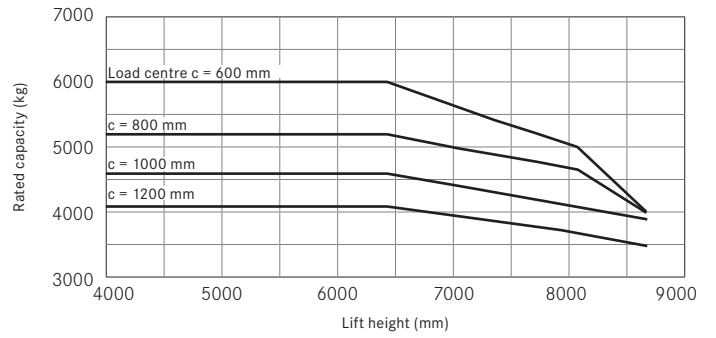
			Telescopic mast		Triplex mast	
RX 70-60	Rated lift	h ₃	mm	3550-6850	4770-5820	6420-8670
	Closed height	h ₁	mm	2710-4360	2710-3010	3210-3960
	Free lift	h ₂	mm	110	1755-2055	2255-3005
	Max. height	h ₄	mm	4440-7740	5660-6710	7310-9560
	Max. width	B	mm	1599	1599	1647
	Tyres front			SE 355/65-15	SE 355/65-15	SE 355/50-20
	Tyres rear			SE 28 x 9-15		
	Track	v	mm	1306	1306	1364
	Track	h	mm	1358		
	RX 70-70	Rated lift	h ₃	mm	3150-6450	4705-8455
Closed height		h ₁	mm	2710-4360	2710-3960	
Free lift		h ₂	mm	110	1555-2805	
Max. height		h ₄	mm	4240-7540	5795-9545	
Max. width		B	mm	2003		
Tyres front				SE twin 8.25-15		
Tyres rear				SE 250-15		
Track		v	mm	1510		
Track		h	mm	1358		
RX 70-80		Rated lift	h ₃	mm	3150-6450	4705-8455
	Closed height	h ₁	mm	2710-4360	2710-3960	
	Free lift	h ₂	mm	110	1555-2805	
	Max. height	h ₄	mm	4240-7540	5795-9545	
	Max. width	B	mm	2003		
	Tyres front			SE twin 8.25-15	SE twin 315/70-15	
	Tyres rear			SE 250-15		
	Track	v	mm	1510		
	Track	h	mm	1358		



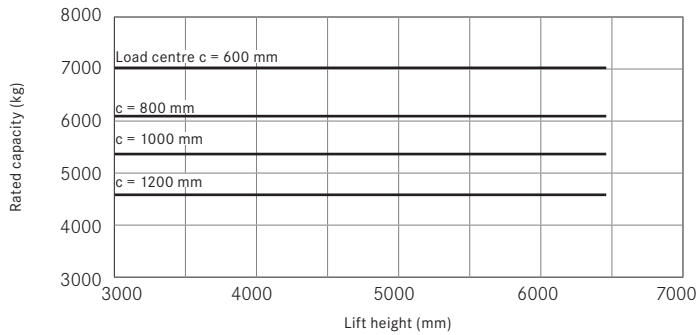
Rated capacities RX 70-60 telescopic mast - single SE tyres



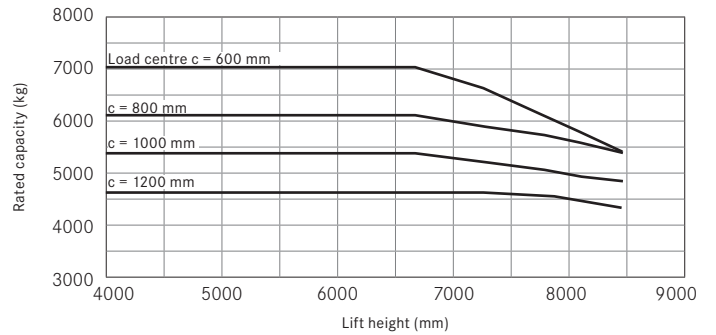
Rated capacities RX 70-60 triplex mast- single SE tyres



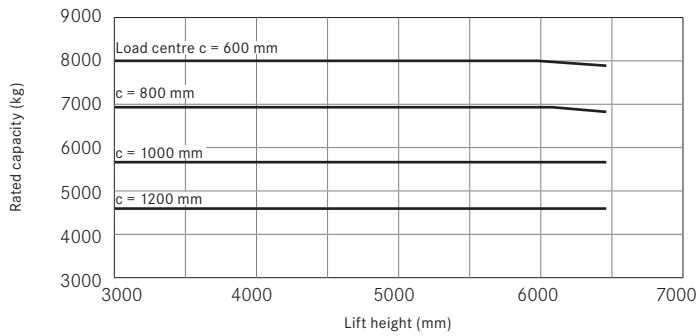
Rated capacities RX 70-70 telescopic mast - SE twin tyres



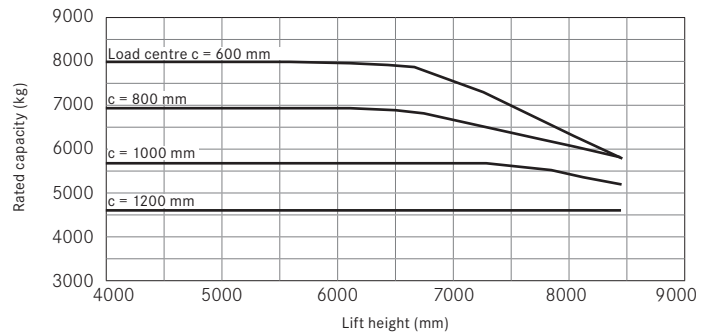
Rated capacities RX 70-70 triplex mast- SE twin tyres



Rated capacities RX 70-80 telescopic mast - SE twin tyres



Rated capacities RX 70-80 triplex mast- SE twin tyres



Different tyres, other masts, additional equipment etc. could give different figures.

Overall concept:

Four-wheel counter balance forklift truck with front wheel drive and internal combustion engine.

Drive.

- Diesel-electric drive with hybrid technology.
- Diesel engine directly connected to AC current generator.
- Drive axle with capsulated rotary current drive motor for high torque moment at low motor speed, temperature independent.
- Wear free, oil immersed lamella-type brake.
- Compact design and extreme agility combined with sensitive drive and lift control for optimum work performance.

Ergonomics.

- Large workspace for the driver with high comfort due to optimum arrangement of controls and individual adaptation of the cabin.
- Excellent visibility to all sides due to off-centre position of the cabin and high seat position.

Safety.

- Low centre of gravity and free floating steering axle for maximum stability.
- Outstanding driving stability when cornering – no need for electronic assistants.
- High residual capacities also for large lift heights.

Economy.

- Low operation costs due to low fuel costs in all work cycles and long maintenance intervals.
- Optimum tuning of drive and hydraulic controls to maximum performance or best efficiency.
- STILL ProActive – reduction of downtimes, fast fault finding, transfer of error codes to the STILL service centre.

Environment.

- Lowest CO₂ emission.
- Engines are far below the exhaust limit values required by EU non-road directive 97/68/EG (2004/26/EG) EU level 3b/EPA Tier 4i.

Service.

- Shortest maintenance interval 1000 hours of operation.
- Fast fault identification in case of damage by computer assisted diagnostics.
- Optimum service access thanks to large access holes at the sides.

Standard equipment:

Drive.

- Modern, maintenance friendly DEUTZ industrial engine.
- Exhaust system with oxidizing catalyst and subsequent diesel particle filter with permanent regeneration.

Driver's workspace.

- Well visible, large access steps.
- Handles on the overhead guard and on the engine cover.
- Large footwell with vibration dampening floor mat and car-style pedals.
- Modern driver's seat with multiple adjustments with high suspension and dampening comfort.
- Drive control by car-style single pedal control.
- Operation of hydraulic functions with STILL mini levers.
- Hydraulic power steering with small steering wheel, ergonomically located off-centre to the left.
- Narrow, adjustable steering column without obstructing displays.
- Central control and display unit in the field of vision of the driver.
- Large storage compartments on the right side and in the rear of the driver's compartment.

Blue-Q energy optimisation.

- Activate Blue-Q energy saving mode at the push of a button.
- Energy saving due to intelligent optimisation of the drive characteristics without impairing the work process.
- Intelligently switches off electrical consumers
- A saving in energy consumption of up to 10% depending on the application and the truck's equipment.

Parameters to control driving characteristics.

- Acceleration and braking of the truck only with the drive pedal.
- Five drive levels can be set by the driver.
- Individual adjustment of speed, acceleration and braking for each drive level.
- Intelligent drive control with reduction of engine speed after acceleration is completed.

Mast and hydraulics.

- Wide mast opening; telescopic and triplex versions available.
- Demand governed adjustable hydraulic displacement pump for lift and steering hydraulics.
- Hydraulics and drive operate independently, therefore no inching function is needed.

Electrical system.

- Modern CAN bus technology with integrated on-board diagnostics.
- 12-Volt electric system.

Additional equipment and options*:

Truck equipment.

- Various Superelastic or pneumatic tyres.
- Mud guard extensions to protect the load and the attachment from dirt.
- Trailer couplings with various coupling heights.

Engine.

- Additional air filter for operation in atmospheres with dust or fibres.
- Adjustable engine switch-off.
- Engine pre heating for operation in cold regions.

Cabin equipment.

- Modular cabin design with wind screen for front, rear and roof, rear screen heater.
- Doors hinged at the rear with large opening angles and two-way sliding windows.
- Selection of water heater or integrated heater/air condition.
- Parallel windscreen wipers with large field of vision for front and rear screen, with washer system by standard.
- Roof screen wiper.
- Unbreakable interior and exterior rear view mirrors.
- Sun blind and sun visor.
- Writing pad with paper clip (detachable).
- Comfort seats with textile cover, air suspension, heating, lumbar support, extended backrest.
- Swivel plate for seat to turn by 20° when reversing.
- Horizontal suspension plate to minimise body vibrations.
- Radio/MP3 player integrated in the interior lining of the overhead guard.
- Restraint system with bar doors.
- STILL EasyBelt – the intelligent ways to assist fastening the seat belt.
- Protective roof grid.

Controls.

- Drive control by twin pedals.
- Joystick or Fingertipp controls for hydraulic functions.

Electric devices and drive control.

- Speed limiter, setting as requested by driver.
- Cruise control.
- Car-style lighting system, approved for public road traffic.
- Halogen or LED spot lights front and/or rear, mounted on the overhead guard, also available as twin lights to improve lighting of the area of work.
- Hazard and signalling lights.
- STILL Safety Light – blue dot of light on the travel path when reversing to warn pedestrians of the truck approaching.
- Driver assistance: seat belt monitor, speed reduction for lifted loads and when cornering.
- Components of the Material flow Management System (MMS).
- FleetManager™ – access authorisation, analysis of truck data and accident recorder.

Mast and hydraulics.

- Additional hydraulic functions to operate attachments.
- Various fork carriage widths and fork lengths.
- Attachments to suit the handled goods.
- Buffer oil tank to dampen jerks from the hydraulics.
- STILL load measuring system with integrated display and totalling function.
- Automatic mast upright setting with progressive stop at end positions.

Special equipment.

- Special equipment versions for operation in particularly difficult applications, e. g. in foundries or cold environmental temperatures.

*Standard or optional equipment.