



## EXU Technical data.

Low lift pallet truck.

---

EXU 16

---

EXU 18

---

EXU 20

---

EXU 22

---

EXU-H 18

---

EXU-H 20

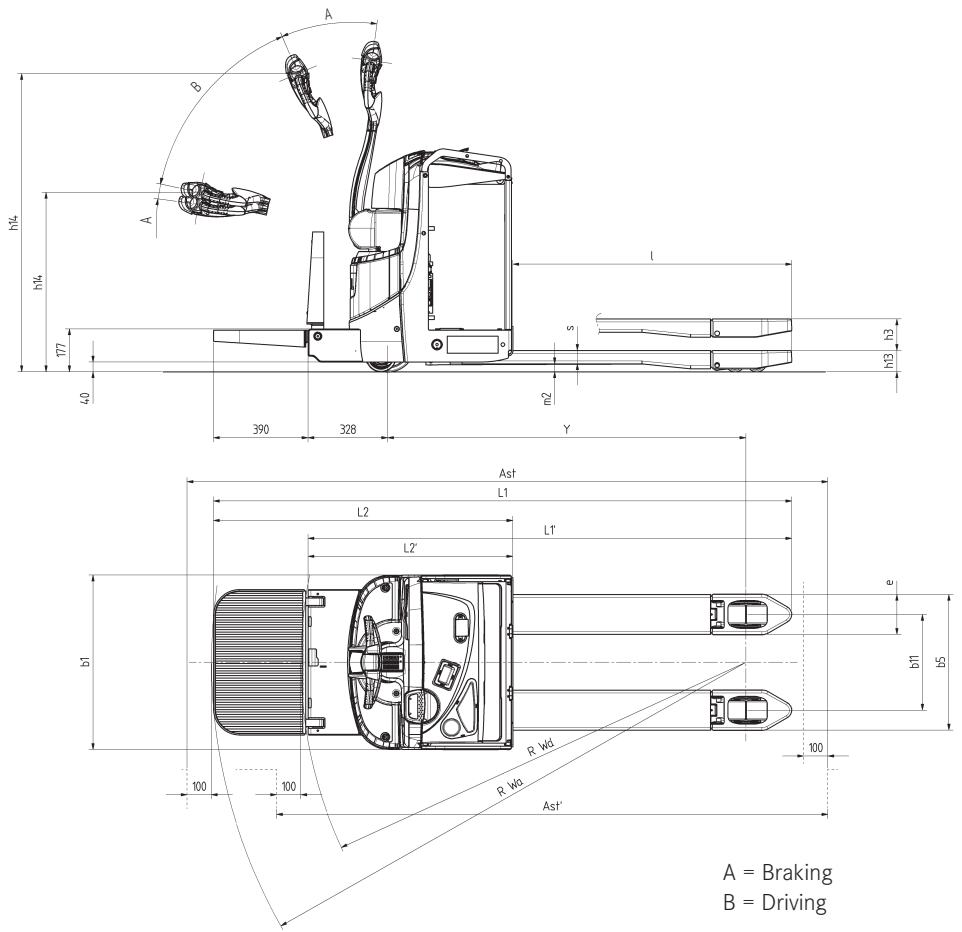
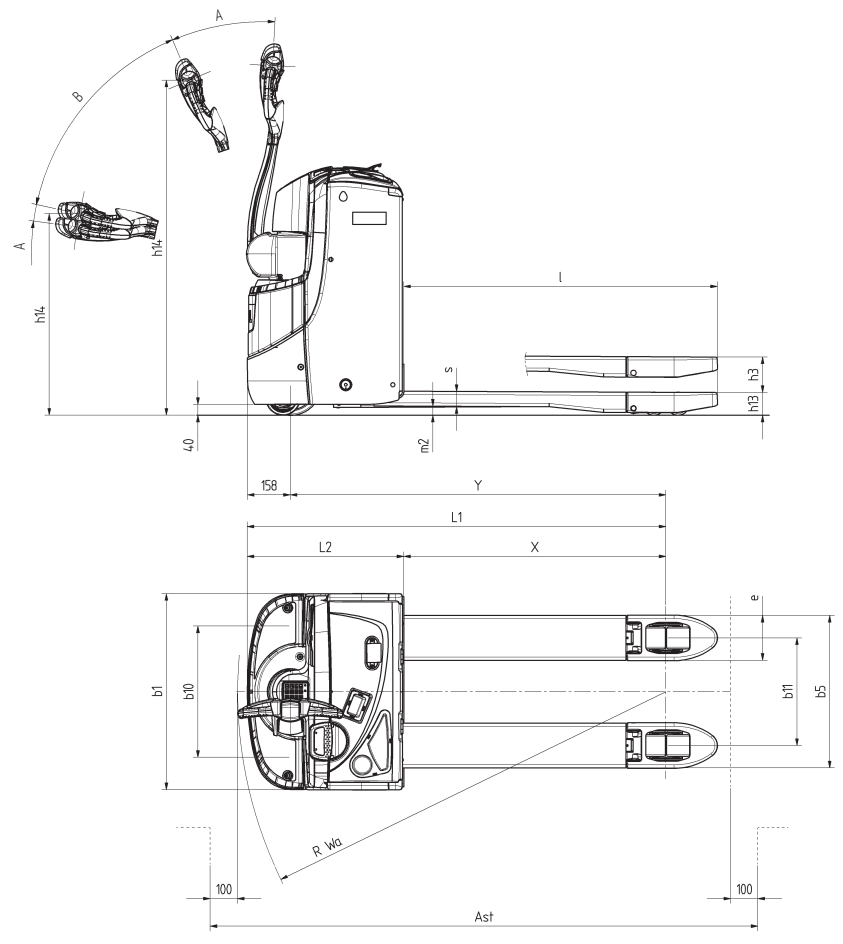
---



|                 |                      |   |                        |                 |           |                       |                       |
|-----------------|----------------------|---|------------------------|-----------------|-----------|-----------------------|-----------------------|
| Characteristics | 1.1                  | Manufacturer  |                        |                 |           | STILL                 | STILL                 |
|                 | 1.2                  | Manufacturer's model designation  |                        |                 |           | EXU16                 | EXU18                 |
|                 | 1.3                  | Power supply (electric, diesel, petrol, gas, mains electric)                              |                        |                 |           | Electric              | Electric              |
|                 | 1.4                  | Type of control (hand, pedestrian, stand-on, rider seated, order picker)                  |                        |                 |           | Pedestrian            | Pedestrian            |
|                 | 1.5                  | Capacity/load   |                        | Q               | kg        | 1600                  | 1800                  |
|                 | 1.6                  | Nominal load centre   |                        | c               | mm        | 600                   | 600                   |
|                 | 1.8                  | Load distance   | Initial lift up/down   | x               | mm        | 962/895,5             | 962/895,5             |
|                 | 1.9                  | Wheelbase   | Initial lift up/down   | y               | mm        | 1304/1237,5           | 1304/1237,5           |
|                 | Weight               | 2.1   | Weight (incl. Battery) |                 | kg        | 430                   | 430                   |
| 2.2             |                      | Axle loadings laden   | drive end/load end     | kg              | 680/1350  | 680/1350              |                       |
| 2.3             |                      | Axle loadings unladen   | drive end/load end     | kg              | 384/104   | 384/104               |                       |
| Wheels, Tyres   | 3.1                  | Tyres (rubber, pneumatic, polyurethane)   |                        |                 |           | Polyurethane          | Polyurethane          |
|                 | 3.2                  | Tyre size   | drive end              | mm              | mm        | 230 x 75              | 230 x 75              |
|                 | 3.3                  | Tyre size   | load end               | mm              | mm        | 85 x 100              | 2 - 85 x 80           |
|                 | 3.4                  | Castor wheels (size)  | antriebsseitig         | mm              | mm        | 125 x 40              | 125 x 40              |
|                 | 3.5                  | Wheels, number (x=drive wheel)  | drive end/load end     |                 |           | 1x + 2/2              | 1x + 2/4              |
|                 | 3.6                  | Track width   | drive end              | b <sub>10</sub> | mm        | 482                   | 482                   |
|                 | 3.7                  | Track width   | load end               | b <sub>11</sub> | mm        | 395                   | 395                   |
| Dimensions      | 4.4                  | Lift height   |                        | h <sub>3</sub>  | mm        | 125                   | 125                   |
|                 | 4.9                  | Height of tiller in drive position  | mini/maxi              | h <sub>14</sub> | mm        | 740/1250              | 740/1250              |
|                 | 4.15                 | Forks height lowered  |                        | h <sub>13</sub> | mm        | 85                    | 85                    |
|                 | 4.19                 | Overall Length  |                        | l <sub>1</sub>  | mm        | 1650                  | 1650                  |
|                 | 4.20                 | Length to front face of forks   |                        | l <sub>2</sub>  | mm        | 500                   | 500                   |
|                 | 4.21                 | Overall width   |                        | b <sub>1</sub>  | mm        | 720                   | 720                   |
|                 | 4.22                 | Forks dimensions  |                        | s/e/l           | mm        | 55/165/1150           | 55/165/1150           |
|                 | 4.25                 | Forks external width  |                        | b <sub>5</sub>  | mm        | 520/560/680           | 520/560/680           |
|                 | 4.32                 | Floor clearance, centre of wheelbase  | Initial lift up/down   | m <sub>2</sub>  | mm        | 30/155                | 30/155                |
|                 | 4.34                 | Working aisle width for pallets 800 x 1200 lengthwise (b <sub>12</sub> x l <sub>6</sub> ) | Initial lift up/down   | A <sub>st</sub> | mm        | 1954/1954             | 1954/1954             |
| 4.35            | Outer turning radius | Initial lift up/down  | W <sub>a</sub>         | mm              | 1516/1450 | 1516/1450             |                       |
| Performances    | 5.1                  | Traveling Speed   | laden/unladen          | Km/h            |           | 6,00/6,00             | 6,00/6,00             |
|                 | 5.2                  | Lifting Speed / Time  | laden/unladen          | m/s             | s         | 0,040/0,060           | 0,040/0,060           |
|                 | 5.3                  | Lowering Speed / Time   | laden/unladen          | m/s             | s         | 0,071/0,065           | 0,071/0,065           |
|                 | 5.8                  | Max. gradeability laden   | laden/unladen          | %               |           | 14/24                 | 13/24                 |
|                 | 5.9                  | Acceleration time (over 10 m)   | laden/unladen          | s               |           | 7,58/6,50             | 7,65/6,50             |
|                 | 5.10                 | Service brakes  |                        |                 |           | electromagnetic       | electromagnetic       |
| Electric motors | 6.1                  | Drive motor, rating S2 = 60 min   |                        | kW              |           | 1,2                   | 1,2                   |
|                 | 6.2                  | Lift motor, rating at S3 = 15%  |                        | kW              |           | 1                     | 1                     |
|                 | 6.3                  | Battery to IEC 254-2; A, B, C, no   |                        |                 |           | BS                    | BS                    |
|                 | 6.4                  | Battery voltage, capacity K <sub>5</sub>  |                        | V/Ah            |           | 24/134 - 150          | 24/134 - 150          |
|                 | 6.5                  | Battery weight +/- 5% (dependant on manufacturer)   |                        | kg              |           | 165                   | 165                   |
|                 | 6.6                  | Energy consumption according to VDI cycle   |                        | kWh/h           |           | 0,38                  | 0,38                  |
| Others          | 8.1                  | Drive control   |                        |                 |           | 3-phase pulse control | 3-phase pulse control |
|                 | 8.4                  | Noise peak at operator's ears   |                        | dB (A)          |           | 68,7                  | 68,7                  |

|      |   |                           |                 |      |  |           |           |
|------|---|---------------------------|-----------------|------|--|-----------|-----------|
| 1.2  | Manufacturer's model designation  |                           |                 |      |  | EXU20     | EXU22     |
| 1.4  | Type of control (hand, pedestrian, stand-on, rider seated, order picker)                  |                           |                 |      |  | Rider     | Rider     |
| 2.1  | Weight (incl. Battery)  |                           |                 | kg   |  | 545       | 656       |
| 2.2  | Axle loadings laden   | drive end/load end        |                 | kg   |  | 846/1689  | 908/1833  |
| 2.3  | Axle loadings unladen   | drive end/load end        |                 | kg   |  | 384/104   | 384/104   |
| 4.9  | Height of tiller in drive position  | mini/maxi                 | h <sub>14</sub> | mm   |  | 740/1250  | 740/1250  |
| 4.19 | Overall Length  | Platform rider/pedestrian | l <sub>1</sub>  | mm   |  | 1895/2285 | 1970/2360 |
| 4.20 | Length to front face of forks   | Platform rider/pedestrian | l <sub>2</sub>  | mm   |  | 745/1135  | 820/1210  |
| 4.34 | Working aisle width for pallets 800 x 1200 lengthwise (b <sub>12</sub> x l <sub>6</sub> ) | Platform rider/pedestrian | A <sub>st</sub> | mm   |  | 2177/2545 | 2251/2619 |
| 4.35 | Outer turning radius/Initial lift down  | Platform rider/pedestrian | W <sub>a</sub>  | mm   |  | 1738/2107 | 1812/2181 |
|      | Outer turning radius/Initial lift up  | Platform rider/pedestrian | W <sub>a</sub>  | mm   |  | 1673/2041 | 1747/2115 |
| 5.1  | Traveling Speed   | laden/unladen             |                 | Km/h |  | 6,00/6,00 | 6,00/6,00 |

|                       |                       |
|-----------------------|-----------------------|
| STILL                 | STILL                 |
| EXU20                 | EXU22                 |
| Electric              | Electric              |
| Pedestrian            | Pedestrian            |
| 2000                  | 2200                  |
| 600                   | 600                   |
| 962/895,5             | 962/895,5             |
| 1379/1312,5           | 1454/1387,5           |
| 495                   | 606                   |
| 789/1699              | 908/1833              |
| 384/104               | 384/104               |
| Polyurethane          | Polyurethane          |
| 230 x 75              | 230 x 75              |
| 2 - 85 x 80           | 2 - 85 x 80           |
| 125 x 40              | 125 x 40              |
| 1x + 2/4              | 1x + 2/4              |
| 482                   | 482                   |
| 395                   | 395                   |
| 125                   | 125                   |
| 740/1250              | 740/1250              |
| 85                    | 85                    |
| 1725                  | 1800                  |
| 575                   | 650                   |
| 720                   | 720                   |
| 55/165/1150           | 55/165/1150           |
| 520/560/680           | 520/560/680           |
| 30/155                | 30/155                |
| 2028/2028             | 2102/2102             |
| 1590/1524             | 1664/1598             |
| 6,00/6,00             | 6,00/6,00             |
| 0,040/0,060           | 0,034/0,043           |
| 0,071/0,065           | 0,070/0,063           |
| 11/24                 | 10/24                 |
| 8,04/6,50             | 8,04/6,50             |
| electromagnetic       | electromagnetic       |
| 1,2                   | 1,2                   |
| 1,2                   | 1,4                   |
| 2PzS                  | 3PzS                  |
| 24/200 - 250          | 24/300 - 375          |
| 219                   | 287                   |
| 0,38                  | 0,38                  |
| 3-phase pulse control | 3-phase pulse control |
| 68,7                  | 68,7                  |



A = Braking  
B = Driving

Thanks to its versatility, reliability and efficiency, the new EXU low lift pallet truck from STILL offers customers the right solution for every application. Being easy and safe to use for the operator was a focal point in its development, as was the compact build. This allows it to be used even in the tightest spaces, for example, when loading and unloading lorries, in narrow warehouses, or in business operations. Together with a highly energy efficient 3-phase drive and the wide range of options, the EXU is thus the ideal low lift pallet truck for intralogistics tasks in industry, trade and logistics. The EXU is available in capacities of 1600 kg, 1800 kg, 2000 kg and 2200 kg. A hinged platform is also available as an option.

### Truck frame.

- Rounded contours facilitate the use of the EXU in tight spaces, such as on a lorry or supermarket aisles, for example.
- Good floor clearance with the forks raised allows trouble free negotiation of ramps, also giving good protection to the operator's feet.
- The cover is made of reinforced polypropylene to provide very high durability which, even after an impact, retains its original form.
- Extremely robust forks made from special steel sections with monobloc cast steel fork tips provide the greatest reliability in demanding use. The shape of the fork tips allows optimal entry into all pallets.

### Steering.

- Easy to use in the tightest spaces thanks to the free running tiller steering.
- When the tiller is released it is brought back automatically into the vertical braking rest position by a gas spring. Here, a gas cylinder provides a damped stop.

### Tiller.

- An ergonomic arrangement of the controls, suitable for right or left handed operators. The push buttons for the horn, lifting and lowering can also be reached in one handed operation without changing grip. This allows fatigue-free operation.
- The oversized buttons have been designed with indentations and projections to allow the operator to intuitively 'feel' each function even when wearing industrial gloves.
- The arrangement of the buttons ensures the simultaneous use of different controls and functions, such as lifting and driving for example.
- Safety to the operator's hands is increased due to all round hand guards and the rounded frame.
- The switch elements (micro switches) and tiller PCB are sealed to IP 65, and all plug connectors and cable harnesses are protected to IP 54, helping to prevent the ingress of dust and water.
- The ergonomically shaped impact switch in the tiller head eliminates the risk of crushing to the operator, even with the tiller almost vertical. The EXU automatically switches from forward to reverse when the impact switch touches the operator.
- High stability of the tiller head due to the use of glass fibre reinforced polyurethane and a tiller arm made of cast aluminium.

### Drive.

- Powerful, economical and hence cost saving, thanks to a 1.2 kW 3-phase drive motor.
- Excellent drivability is adaptable to demand thanks to two drive programmes, ECO and BOOST (two positions on the key switch).
- In "ECO" mode (Tortoise button), the motor runs at its normal characteristics, i.e. it draws a lower current and accelerates smoothly up to 4 km/hr. This gives a highly competitive operating period per battery charge.
- In "BOOST" mode (Hare button), the motor runs in a higher power range and offers very high torque and faster acceleration to a higher top speed of 6 km/hr, even when fully laden and regardless of gradient. In this mode, the EXU's available operating period remains the norm for its class, but productivity increases by as much as 25% in comparison.
- A speed sensor connected to the control unit provides soft, stepless acceleration of the EXU up to maximum speed, regardless of the load on the forks.
- The truck automatically brakes when the drive switch is released. When this happens - or when the driver applies the brakes - the AC motor acts as a generator and the kinetic energy which would otherwise be lost is recovered and stored in the battery.
- When stationary on a ramp, or when the drive switch is released, the controller monitors every rolling movement of the truck and prevents uncontrolled rolling back by applying the brake.

### Hydraulic system.

- A compact 1 to 1.4 kW pump and motor unit allows short lift times - even when fully laden - providing high handling capacity.
- On reaching the maximum lift the pump is automatically shut off, reducing the energy consumption and servicing costs by 10 - 20%, depending on the application. The maximum pressure valve protects the truck from damage caused by overloads.

### Brake system.

- The braking is supplied by two independent systems:
- Soft braking with energy recovery which is activated by releasing the butterfly switch or by plugging (different braking characteristics will apply depending on the drive mode selected, i.e. "Hare" or "Tortoise").
  - The totally encapsulated electromagnetic disc brake system acts as both a safety braking system and as a parking brake. The braking takes place automatically with the tiller in the horizontal or vertical position (dead man brake).

### Battery.

- The drive control and resulting low energy requirement allows the use of compact batteries with a lower capacity - even for longer use applications.
- Three different battery trays are available to take batteries (wet, low-maintenance or maintenance free) with capacities from 24 V/150 Ah to 24 V/375 Ah, in order to optimally match the truck to the application.
- The batteries are easily accessible and can be changed using a hoist.
- Side battery changing is available as an option for all models with tray 2 PzS.

### Support rollers.

- For demanding applications - such as driving on ramps - the centrally driven EXU has extremely robust support castors.
- These can be easily and quickly adjusted from above.

### Load rollers.

- Tandem rollers as standard (except for EXU 16 with single rollers).
- Greased axles with lubricating facilities are also available for use in damp environments.

### Drive wheel.

- Polyurethane as standard.
- The particularly large dimensions (Ø 230 x 75 mm) guarantee excellent traction for every application, however hard.

### Standard equipment.

- Fork lengths of 800 mm, 1000 mm, 1150 mm, 1200 mm, 1400 mm or 1600 mm (others on request). For the EXU 20, lengths of 1800 mm and 2400 mm are also available.
- Fork widths of 520 mm, 560 mm or 680 mm.
- 3 position switch with 2 drive modes ("Hare"/"Tortoise").
- Combi instrument for battery state of charge with integral hoist cut out and work hour meter.
- Integral storage compartments designed for pens, drinks, DIN A4 documents, etc.
- Writing surface with integral paper clip.

### OPTISPEED 3.0

- With the latest development of the AC Controller in combination with a redundant angle sensor in the tiller, STILL has incorporated an innovative, ergonomic, safe function.
- The speed will automatically be adjusted to suit the angle at which the tiller is held, thus slow travel is possible with the tiller vertical, making manoeuvring in the tightest space very easy and safe and also making it practically impossible to drive over your feet even in the tightest of spaces.

### Optional.

- Load backrest 1700 mm high.
- Sprung, hinged stand-on platform on the EXU 20.
- Different versions of the drive wheel for optimal traction and clean floors (solid rubber, non-marking, etc.).
- Axles with greasing provision for damp environments.
- Integral on-board charger compatible with all battery capacities.
- Cold store version down to minus 30° C.
- Unique modular accessory system thanks to multi-function bracket.
- Adjustable A4 writing surface.
- Access control by a PIN code entry.
- Access control management with STILL FleetManager.

### Safety.

- Trucks comply with the EC guideline 98/37 and carry the CE symbol.
- STILL is certified to ISO 9001.

### STILL EXU pedestrian low lift pallet truck.

- A wide range of variants and options for different intralogistics tasks.
- 2 driving programmes, ECO and BOOST, for optimised economy or maximum power.
- Tiller grip optimised for right and left handed operatives, Enclosure Class IP 65.
- Optispeed control of the speed dependent on the tiller angle, for high operating safety.
- Compact build for efficient working in narrow spaces.
- Robust fork tips in cast steel with optimised shape for easy pallet pick up.
- Practical, easily reached storage compartments.

|                  |  |  |                       |                 | STILL ①                  | STILL ①                    |              |
|------------------|--|--|-----------------------|-----------------|--------------------------|----------------------------|--------------|
| Characteristics  | 1.1  | Manufacturer   |                       |                 | EXU-H 18                 | EXU-H 20                   |              |
|                  | 1.2  | Manufacturer's model designation   |                       |                 | Electric                 | Electric                   |              |
|                  | 1.3  | Power supply (electric, diesel, petrol, gas, mains electric)             |                       |                 | Pedestrian               | Pedestrian                 |              |
|                  | 1.4  | Type of control (hand, pedestrian, stand-on, rider seated, order picker) |                       |                 | 800/1800                 | 800/2000                   |              |
|                  | 1.5  | Carrying capacity/load   | Q                     | kg              |                          |                            |              |
|                  | 1.6  | Load centre  | c                     | mm              | 600                      |                            |              |
|                  | 1.8  | Load distance  | x                     | mm              | 950/890                  |                            |              |
|                  | 1.9  | Wheelbase  | y                     | mm              | 1404/1338                |                            |              |
|                  | Weights  | 2.1  | Weight (inc. battery) |                 | kg                       | 556                        | 603          |
| 2.2              |  | Axle loading laden   | drive end/load end    | kg              | 856/1539                 | 937/1664                   |              |
| 2.3              |  | Axle loading unladen   | drive end/load end    | kg              | 411/145                  | 458/145                    |              |
| Wheels   Chassis | 3.1  | Tyres  |                       |                 | Polyurethane             |                            |              |
|                  | 3.2  | Tyre size  | drive end             | mm              | Ø 230x75                 |                            |              |
|                  | 3.3  | Tyre size  | load end              | mm              | 2xØ 85x65 (Basic: 85x65) |                            |              |
|                  | 3.4  | Support roller size  |                       | mm              | 2xØ 125x40               |                            |              |
|                  | 3.5  | Wheels, number (x = drive wheel)   | drive end/load end    |                 | 1x2/4                    |                            |              |
|                  | 3.6  | Track width  | drive end             | b <sub>10</sub> | mm                       | 482                        |              |
|                  | 3.7  | Track width  | load end              | b <sub>11</sub> | mm                       | 380 (340)                  |              |
| Basic dimensions | 4.2  | Height, mast lowered   |                       | h <sub>1</sub>  | mm                       | 1370                       |              |
|                  | 4.3  | Free lift  |                       | h <sub>2</sub>  | mm                       | 550                        |              |
|                  | 4.4  | Lift   |                       | h <sub>3</sub>  | mm                       | 675                        |              |
|                  | 4.6  | Basic lift   |                       | h <sub>5</sub>  | mm                       | 125                        |              |
|                  | 4.9  | Tiller height in drive position  | min./max.             | h <sub>14</sub> | mm                       | 720/1240                   |              |
|                  | 4.15   | Height lowered   |                       | h <sub>13</sub> | mm                       | 85                         |              |
|                  | 4.19   | Overall length unladen   |                       | l <sub>1</sub>  | mm                       | 1807                       | 1882         |
|                  | 4.20   | Length inc. fork back  |                       | l <sub>2</sub>  | mm                       | 617                        | 692          |
|                  | 4.21   | Overall width  |                       | b <sub>1</sub>  | mm                       | 720                        |              |
|                  | 4.22   | Fork dimensions  |                       | s/e/l           | mm                       | 180/50/1190                |              |
|                  | 4.25   | Overall fork width   |                       | b <sub>5</sub>  | mm                       | 560 (520)                  |              |
|                  | 4.32   | Floor clearance, centre of wheelbase                                     |                       | m <sub>2</sub>  | mm                       | 20/145                     |              |
|                  | 4.33   | Working aisle width - 1000 x 1200 pallet crosswise                       |                       | A <sub>st</sub> | mm                       | 2045                       | 2120         |
| 4.34             | Working aisle width for pallet 800 x 1200 lengthways (b <sub>12</sub> x l <sub>6</sub> ) |  | A <sub>st</sub>       | mm              | 2095                     | 2170                       |              |
| 4.35             | Turning radius   |  | W <sub>a</sub>        | mm              | 1645/1585                | 1720/1660                  |              |
| Performance data | 5.1  | Travel speed   | laden/unladen         |                 | Km/h                     | 6/6                        |              |
|                  | 5.2  | Lifting speed/time   | laden/unladen         |                 | m/s                      | 0,035/0,041                |              |
|                  | 5.3  | Lowering speed/time  | laden/unladen         |                 | m/s                      | 0,062/0,031                |              |
|                  | 5.8  | max. gradeability kB 5   | laden/unladen         |                 | %                        | 12 / 24                    | 10 / 24      |
|                  | 5.9  | Acceleration time (over 10 m)  | laden/unladen         |                 | s                        | 8,45/7,1                   |              |
|                  | 5.10   | Service brake  |                       |                 |                          | electromagnetic            |              |
| E-Motor          | 6.1  | Drive motor, Rating S2 = 60 min  |                       |                 | kW                       | 1,2                        |              |
|                  | 6.2  | Hoist motor, Rating at S3 = 15%  |                       |                 | kW                       | 1,2                        |              |
|                  | 6.3  | Battery to DIN 43531/35/36; A, B, C, no                                  |                       |                 |                          | BS                         | 2PzS         |
|                  | 6.4  | Battery voltage, rated capacity K <sub>s</sub>                           |                       |                 | V/Ah                     | 24V / 150 Ah               | 24V / 240 Ah |
|                  | 6.5  | Battery weight ± 5% (dependent on make)                                  |                       |                 | kg                       | 144                        | 191          |
|                  | 6.6  | Energy consumption to VDI cycle  |                       |                 | kWh/h                    | 0,38                       |              |
| Sonstiges        | 8.1  | Drive control  |                       |                 |                          | Pulsed three-phase current |              |
|                  | 8.4  | Sound level, at driver's ear   |                       |                 | dB (A)                   | 59                         |              |

## EXU-H.

The new EXU-H, based on the EXU low lift truck, possesses a number of advantages and features which make the machine multipurpose:

- Ergonomic fully proportional lift enables a working height of 760 mm.
- Can also be used as an order picker, as a mobile variable-height workbench, for pick-up of empty pallets on initial lift, and for "easy on the back" re-stocking of supermarket shelves.
- An initial lift capacity of up to 2000 kg allows the EXU-H to be used for both loading and unloading.
- The order picking lift has a residual load capacity of 800 kg.
- With the optional Autolift function a sensor detects the load height and automatically sets the lift to the height of the upper edge of the load.

## Standard equipment.

- Standard fork length 1190 mm (1150 mm option available).
- Fork width 560 mm (520 mm option available).
- DIN A4 writing desk with paper clamp integrated into battery cover.
- 2 optional battery trays available: 150 Ah for EXU-H 18 and 250 Ah for EXU-H 20.
- Tandem load rollers (single as an option).

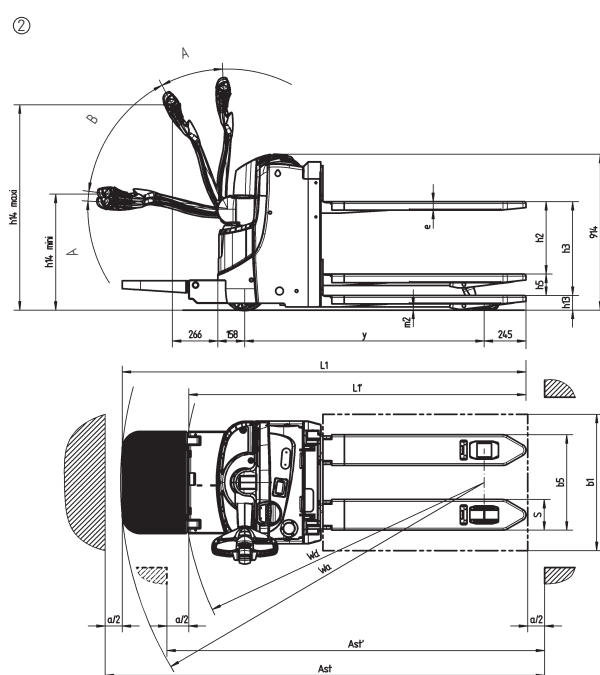
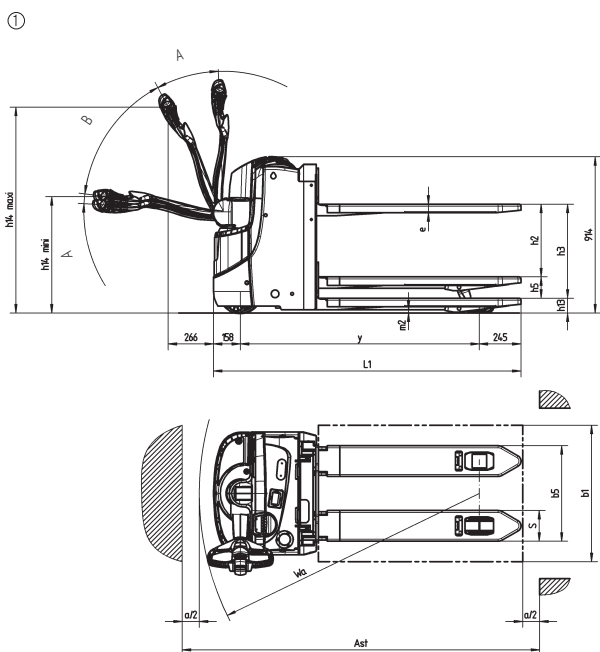
## Options for EXU-H.

- In addition to all the options available for the standard EXU, the following further options can be fitted to the EXU-H:
- 2 load protection screens 800 mm or 1300 mm high provide greater safety with raised pallets.
  - Sprung folding stand-on platform for transport tasks over medium or longer distances (EXU-H 20).
  - Autolift: Automatic raising and lowering of the load to ensure an ergonomic working height.
  - Adjustable DIN A4 writing desk.

Optional hinged platform (rider/pedestrian)

|      |   |                      |          |      |            |
|------|---|----------------------|----------|------|------------|
| 1.2  | Manufacturer's model designation  |                      |          |      | EXU-H 20 ② |
| 1.5  | Carrying capacity/load  |                      | Q        | kg   | 800/2000   |
| 2.1  | Unladen weight (incl. battery)  |                      |          | kg   | 645        |
| 2.2  | Axle load, laden  | Drive side/load side |          | kg   | 982/1664   |
| 2.3  | Axle load, unladen  | Drive side/load side |          | kg   | 500/145    |
| 4.9  | Tiller height in driving position   | min./max.            | $h_{14}$ | mm   | 720/1240   |
| 4.19 | Unladen total length  | Pedestrian mode      | $l_1$    | mm   | 1977       |
|      |   | Stand-on mode        | $l_1$    | mm   | 2367       |
| 4.20 | Length including fork backs   | Pedestrian mode      | $l_2$    | mm   | 787        |
|      |   | Stand-on mode        | $l_2$    | mm   | 1177       |
| 4.34 | Working aisle width with pallets<br>800 x 1200 longitudinal ( $b_{12} \times l_6$ ) | Pedestrian mode      | $A_{st}$ | mm   | 2160       |
|      |   | Stand-on mode        | $A_{st}$ | mm   | 2332       |
| 4.35 | Turning radius  |                      | $W_a$    | mm   | 1760/1700  |
|      |   |                      | $W_a$    | mm   | 2132/2072  |
| 5.1  | Travel speed  | Laden/unladen        |          | Km/h | 6,0/6,0    |

A = Braking  
B = Driving





## Your contact

STILL GmbH  
Berzeliusstraße 10  
D-22113 Hamburg  
Telephone: +49 (0)40/73 39-2000  
Telefax: +49 (0)40/73 39-2001  
info@still.de

**For further information please visit:**  
**[www.still.de](http://www.still.de)**

STILL Materials Handling Ltd.  
Aston Way, Leyland  
Lancashire PR26 7UX  
Telephone: +44 (0)1772 644300  
Telefax: +44 (0)1772 644303  
info@still.co.uk

**For further information please visit:**  
**[www.still.co.uk](http://www.still.co.uk)**